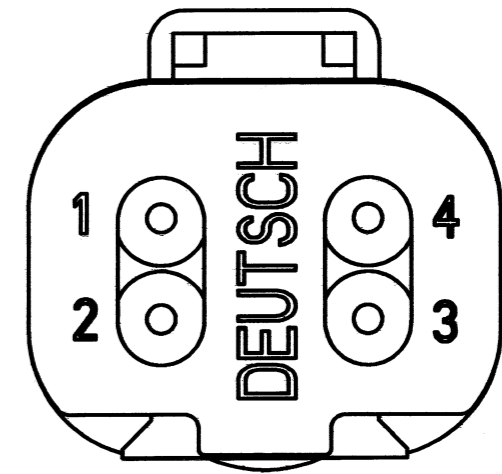
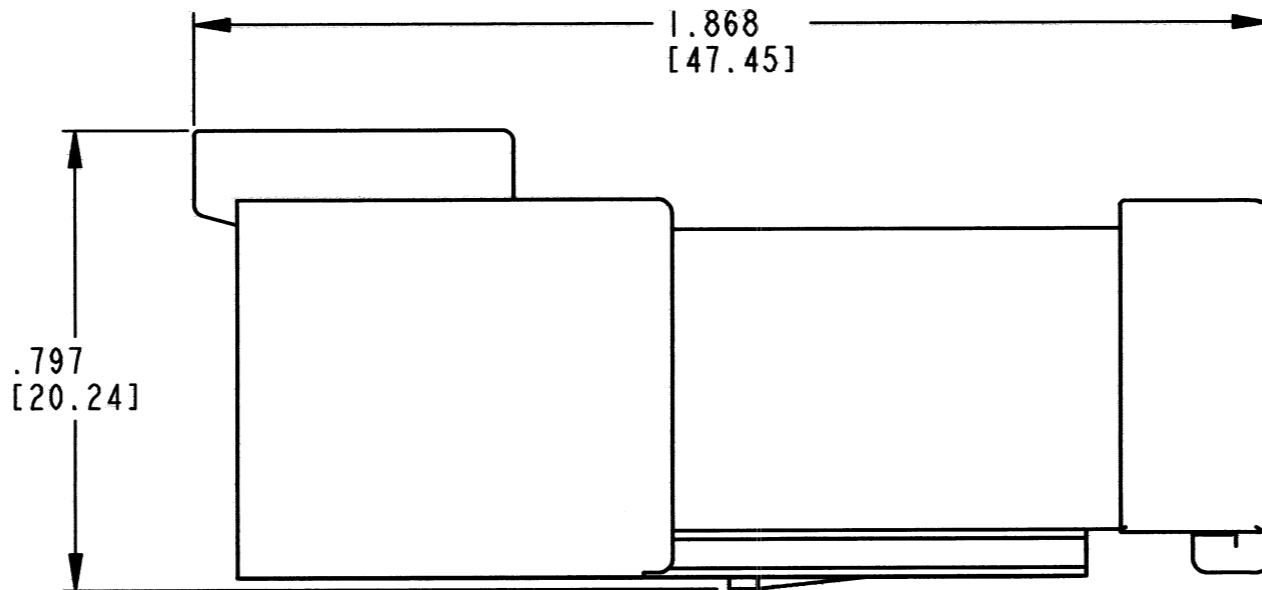
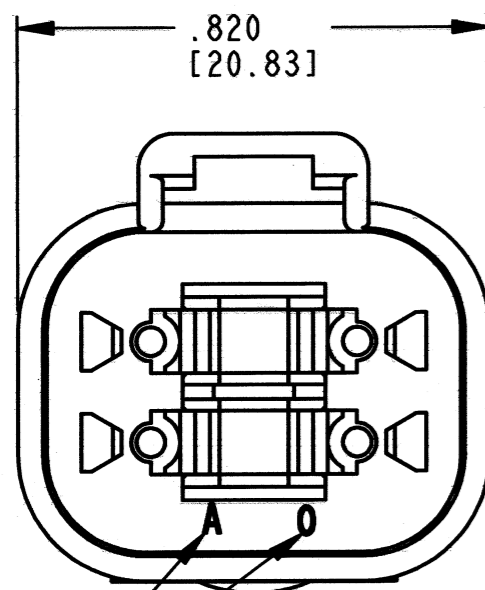


REV
B DT04-4P-E003

REVISIONS			
SYM	DESCRIPTION	DATE	APPROVED
NC	NEW RELEASE PER E.O. A09342	9/6/90	J.A.
A	REVISED PER E.O. A13781	3/19/92	J.A.
B	REVISED PER E.O. P21170	10-26-11	RDR



DATE CODE: YEAR IS REPRESENTED BY LAST NUMERICAL DIGIT (EX: 0=2010). SEQUENTIAL ALPHA CHARACTERS REPRESENT MONTH (EX: A=JANUARY).

- 5. MATERIAL: SHELL: PLASTIC; COLOR: GRAY
GROMMET: RUBBER
- 4. THIS RECEPTACLE MATES WITH DT06-4S-**** PLUG (****=ALL MODIFICATIONS).

3. FOR CONTACTS AND WIRE PERFORMANCE AND APPLICATION CHARACTERISTICS SEE ENVELOPE DRAWING 0425-015-0000 AND 0425-017-0000.

2. DIMENSIONS ARE ±.025[0.63] UNLESS OTHERWISE SPECIFIED.

1. DIMENSIONS ARE IN INCHES [MILLIMETERS].

NOTES:

CONTACT SIZE	MIN. INSUL. O.D.	MAX. INSUL. O.D.	WIRE RANGE [mm ²]
16	.088 [2.24]	.145 [3.70]	14-20 AWG [2.0-0.5]

SIGNATURE & DATE	
DR	A. MALAGON 24OCT11
CHK	B. B. 10/26/2011
PE	R. W. 10/25/11
APPD	S. B. 10/26/11
SCALE	NONE WT

4 WAY RECEPTACLE
-E003 MOD.
DT SERIES

ENVELOPE

EP	MATL. CODE
3850 INDUSTRIAL AVE. HEMET, CA 92545	
B	DT04-4P-E003
DWG SIZE	CODE 11139 SHEET OF